

**evo**<sup>®</sup>

Delicious begins with distinctive



# DELICIOUS BEGINS WITH DISTINCTIVE

At Evo, bringing people together around food is our passion. It's also what inspired us to design and build the most versatile grill that lets people share the joy of cooking.

The Evo grill is the perfect companion for flexible alfresco cooking, creating everything from BBQ classics to freshly baked pizza, flavoursome Teppanyaki, juicy roasted meats and fluffy pancakes.

The Evo range includes a movable wheeled cart and two built-in options for the ultimate alfresco kitchen.

## Key Features of the Evo Grill:

- Made in America with a 5 year warranty.
- Unique and distinctive circular cooking surface for sociable outdoor cooking.
- Versatile cook surface: grill, toast, sauté, stir fry, steam, sear, roast, smoke, simmer and boil.
- Pre-seasoned, naturally non-stick black steel cooking surface with edge-to edge even heating
- Quick heat up time – only five minutes to heat to temperature
- Wide cooking temperature range of 107°C to 288°C (models 10-0002 and 10-0055) and 107°C to 274°C (model 10-0095) provides exceptional flexibility
- Heavy gauge stainless steel construction provides strength and rust-free quality.
- Removable, dishwasher safe spill-over tray makes cleaning easy.
- Includes, cleaning kit and large stainless steel lid.







## **OUTDOOR COOKING, ELEVATED. JOIN THE EVOLUTION.**

Embrace the art of gathering as friends and family unite around the Evo, creating memories that sizzle and flavours that ignite the senses. Discover a new era of outdoor cooking - where every meal becomes a masterpiece, and every moment a celebration.







Cook directly on the naturally non-stick surface to sear, sauté, grill, toast or stir-fry, then add pots and pans to boil, simmer, poach or steam.

Experience culinary excellence like never before with Evo - the pinnacle of outdoor grilling luxury. Elevate your gatherings with innovative design that transforms cooking into an unforgettable social experience while offering precision control and unmatched versatility.



# THE EVO RANGE

## Affinity 30G

The Evo Affinity 30G is designed for built-in installation in spacious custom outdoor Kitchens.



Model# 10-0055

## Affinity 25G

The Evo Affinity 25G is designed for built-in installation in small custom outdoor kitchens.



Model# 10-0095

## Professional Wheeled Cart

The Evo Professional Wheeled Cart is designed for outdoor entertaining on your backyard deck or patio.



Model# 10-0002



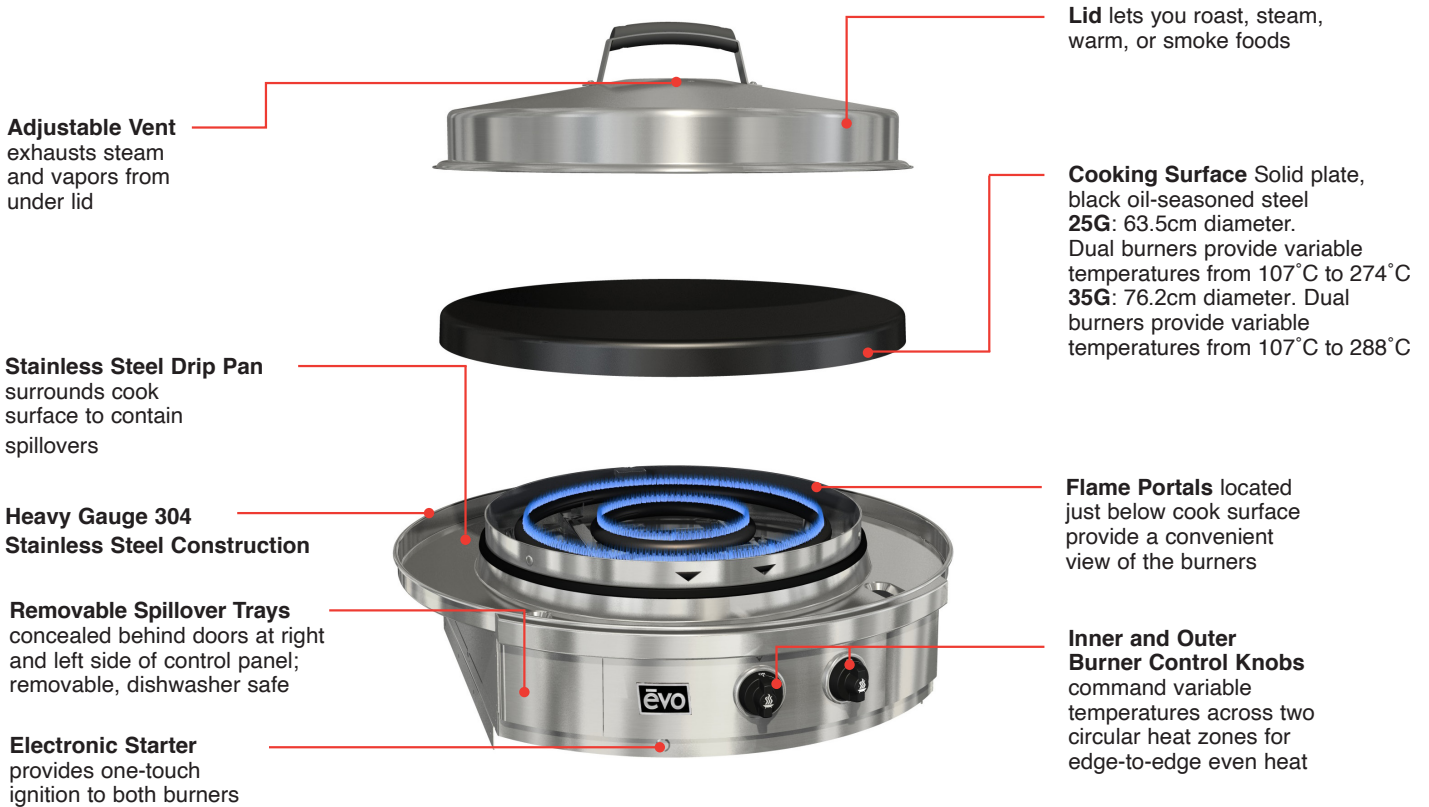




# Affinity 30G / 25G Built-In Grill

Model # 10-0055 / 10-0095

The Evo Affinity was built to be the centerpiece of your outdoor kitchen. With precise temperature control across dual gas burners and a highly capable cooking surface, the Affinity is the perfect stage to entertain large or small parties.



Model #	10-0055 Affinity 30G	10-0095 Affinity 25G
Style	Built-In Grill	Built-In Grill
Cooking Surface Diameter	762mm (30")	635mm (25")
Gas Type	LPG or Natural Gas	LPG or Natural Gas
Cooking Temperature Range	107°C to 288°C	107°C to 274°C
Dimensions (h x w)	289mm x 918mm	289mm x 817mm
Net weight / Ship weight	84 kg / 106.6kg	45kg / 68kg

The Affinity models install into a counter-top, leaving only the cooking surface, drip pan and control panel exposed. Minimum 9.5mm clearance to combustible surfaces allows installation to wood, rock, concrete and tiles counter surfaces.

### ALL EVO GRILLS INCLUDE:

- Two stainless steel spatulas (12-0110-AC), One stainless steel scraper (12-0111-AC), One cook surface cleaning kit (13-0100-AC), One Evo Cookbook (16-0115-CB)
- Stainless steel lid, Stainless steel tank sleeve (Portable model only), Installation instructions, use and care manual

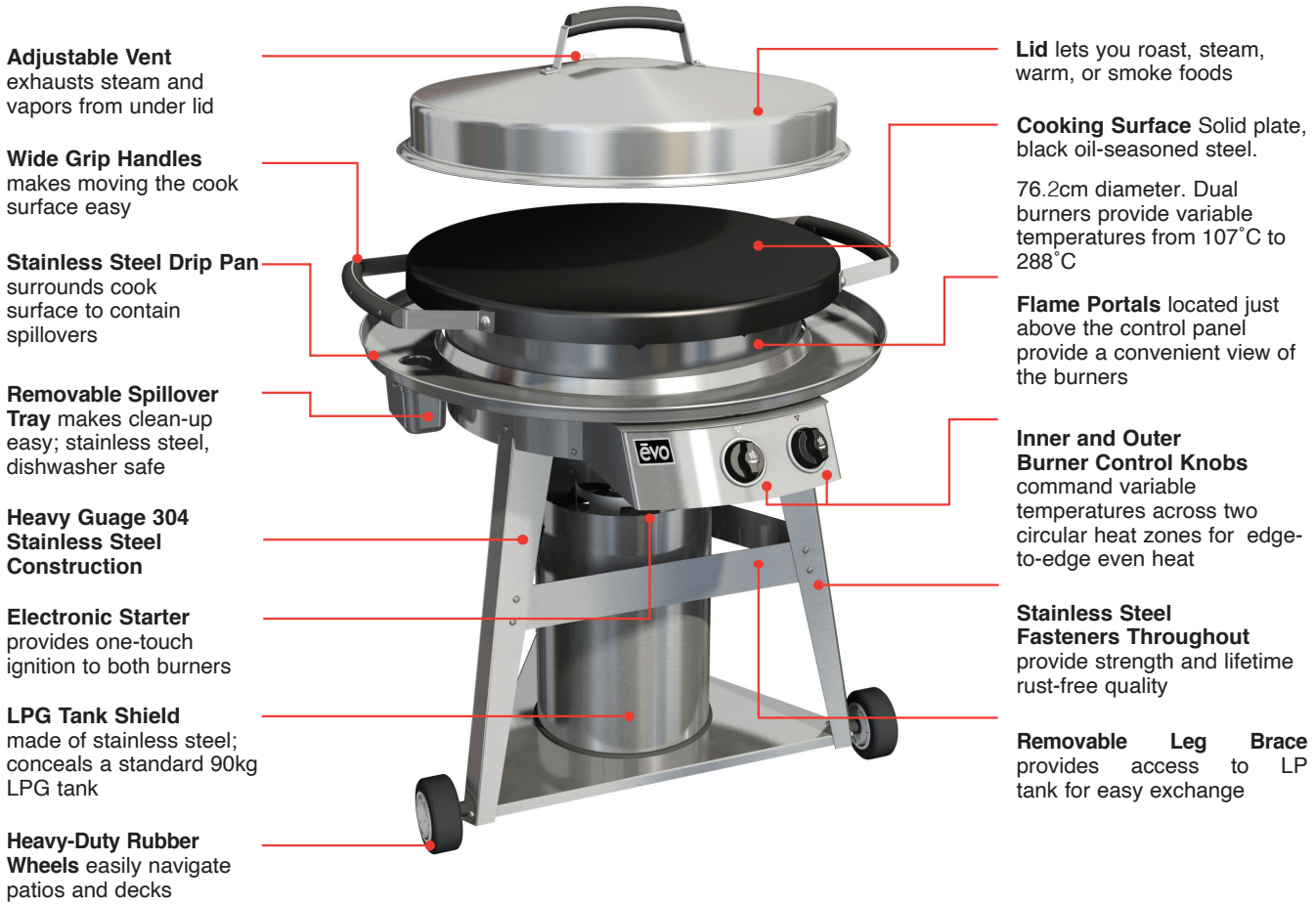




# Professional Wheeled Cart

## Model # 10-0002

The Evo Professional Wheeled Cart is built for your backyard patio or deck. Gather around with family and friends for conversation and a great meal. Round up your neighbors and take the party outside!



**Adjustable Vent**  
exhausts steam and vapors from under lid

**Wide Grip Handles**  
makes moving the cook surface easy

**Stainless Steel Drip Pan**  
surrounds cook surface to contain spillovers

**Removable Spillover Tray**  
makes clean-up easy; stainless steel, dishwasher safe

**Heavy Gauge 304 Stainless Steel Construction**

**Electronic Starter**  
provides one-touch ignition to both burners

**LPG Tank Shield**  
made of stainless steel; conceals a standard 90kg LPG tank

**Heavy-Duty Rubber Wheels**  
easily navigate patios and decks

**Lid** lets you roast, steam, warm, or smoke foods

**Cooking Surface** Solid plate, black oil-seasoned steel.  
76.2cm diameter. Dual burners provide variable temperatures from 107°C to 288°C

**Flame Portals** located just above the control panel provide a convenient view of the burners

**Inner and Outer Burner Control Knobs**  
command variable temperatures across two circular heat zones for edge-to-edge even heat

**Stainless Steel Fasteners Throughout**  
provide strength and lifetime rust-free quality

**Removable Leg Brace**  
provides access to LP tank for easy exchange

Model #	10-0002 Professional Wheeled Cart
Style	Mobile cart
Cooking Surface Diameter	762mm (30")
Gas Type	LPG or Natural Gas
Cooking Temperature Range	107°C to 288°C
Dimensions (h x w)	With hood: 1168 x 1016mm Without hood: 940 x 1016mm
Net weight / Ship weight	75kg / 111kg

**ALL EVO GRILLS INCLUDE:**

- Two stainless steel spatulas (12-0110-AC), One stainless steel scraper (12-0111-AC), One cook surface cleaning kit (13-0100-AC), One Evo Cookbook (16-0115-CB)
- Stainless steel lid, Stainless steel tank sleeve (Portable model only), Installation instructions, use and care manual



The exceptional performance of Evo's circular cooking surface is the result of a single, slightly-crowned piece of steel that's formed with a flanged edge to trap heat, then oil-seasoned multiple times to promote a natural non-stick cooking surface.

These painstaking efforts result in a finished cooking surface that maintains the same integrity it was created with.

# FEATURES



Easily adjustable control knobs provide unrivalled temperature control



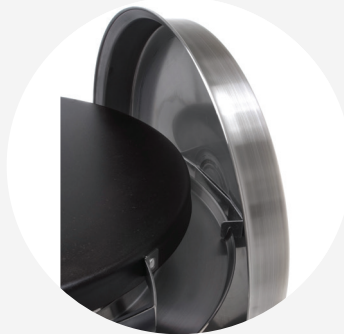
Dual Gas burners  
Independently-controlled burners provide two heat zones.



A stainless lid is included that converts the flattop grill into an oven for baking, roasting, or smoking.



Easy access to Gas Tank\*  
\*Professional Wheeled Cart only



Lid hooks on drip pan\*  
\*Professional Wheeled Cart only



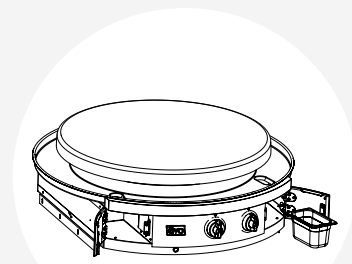
Skirt handle to roll cart\*  
\*Professional Wheeled Cart only



Trim Kit  
Stainless steel square insert for easy installation into counter (optional).



Circular black oil-seasoned cooking surface.



Spillover Trays  
Dishwasher proof spill trays are easily removed for a quick clean-up



# ACCESSORIES

## All Evo Grills Are Shipped With

- 1 Cook Surface Cleaning Kit - Includes Handle, Pad and Screen
- 2 Stainless Steel Spatulas
- 1 Stainless Steel Cook Surface Scraper
- 1 Evo Cookbook



## ACCESSORIES



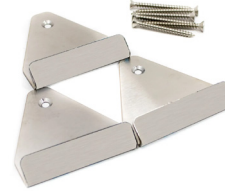
### Trim Kit

11-0126-ATK  
11-0123-ATK



### Vinyl Cover

12-0106-25G  
12-0107-AC  
12-0102-AC



### Lid Mounting Brackets

12-0109-AC

## COOKING ACCESSORIES



### Evo Steamer/Cooking Covers Set of 2 sizes

12-0116-AC



### Evo Roasting & Baking Racks Set of 2 sizes

12-0117-AC



### Evo Stainless Steel Spatula

12-0110-AC

## CLEANING ACCESSORIES



### Evo Cook surface Cleaning Kit (handle, pad and screen)

13-0100-AC



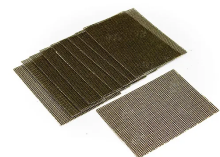
### Evo Cooksurface Scraper

12-0111-AC



### Evo Cleaning Pad Gray For heavy cleaning 10 Pack

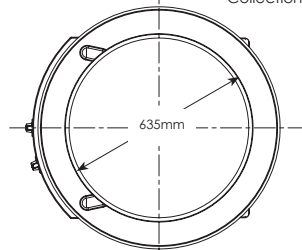
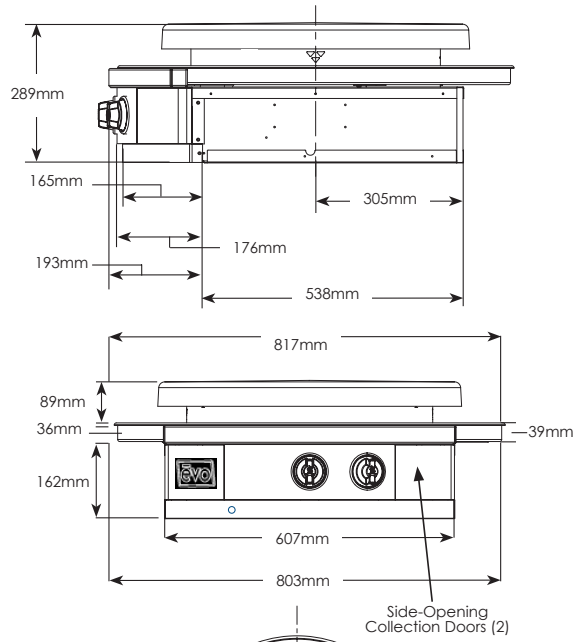
13-0110-AC



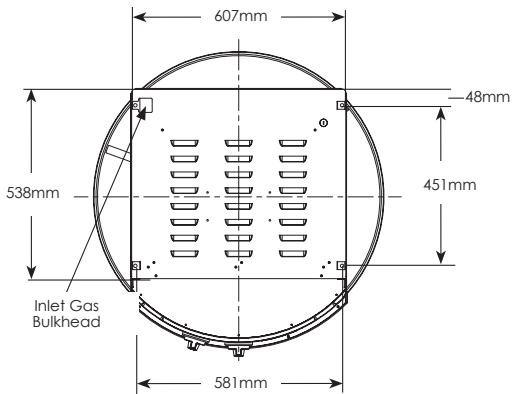
### Evo Cleaning Screens 10 Pack

13-0112-AC

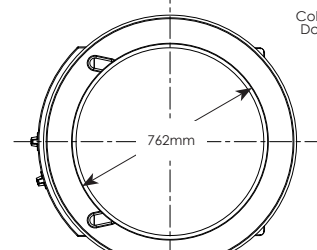
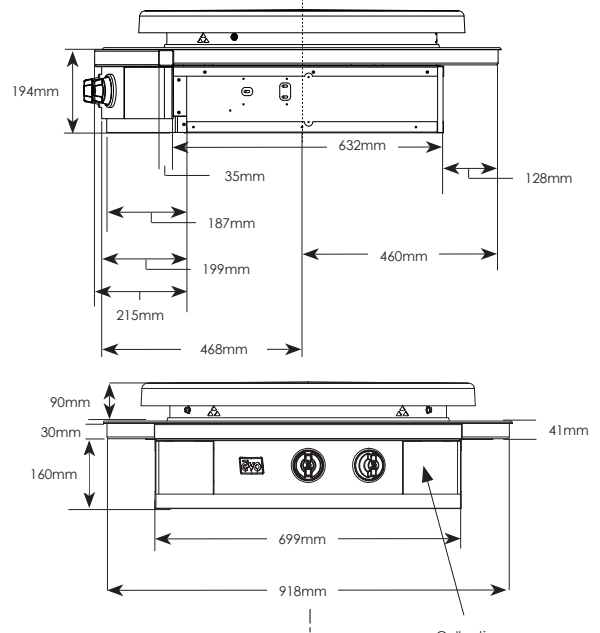
## Affinity 25G Built-In Grill Model # 10-0095



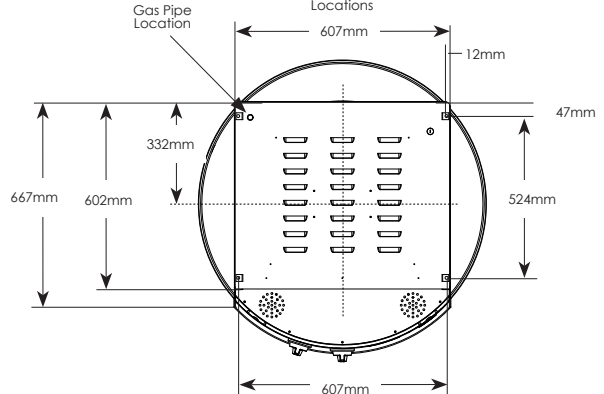
Mounting Locations



## Affinity 30G Built-In Grill Model # 10-0055

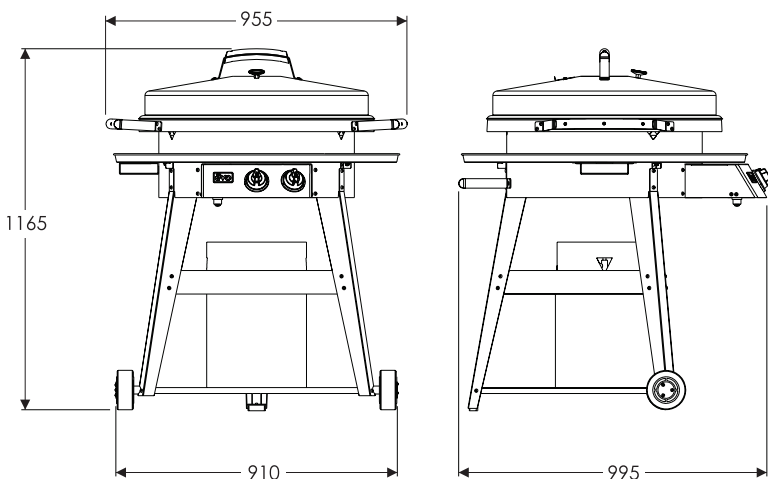


Mounting Locations



Gas Inlet Pipe At Right Rear Bottom Chassis

## Professional Wheeled Cart | Model # 10-0002



# evo®

Delicious Begins with Distinctive



**Evo Grills**

Exclusively distributed by Andi-Co Australia  
1 Stamford Rd, Oakleigh, VIC 3166

[www.evogrills.com.au](http://www.evogrills.com.au)

